



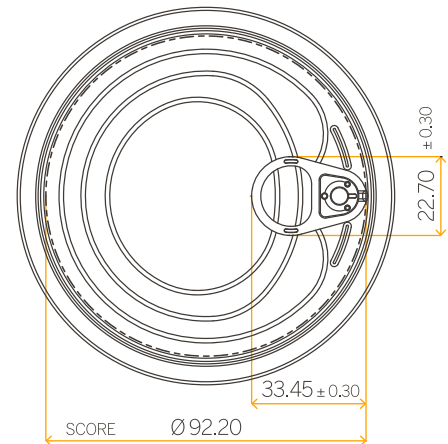
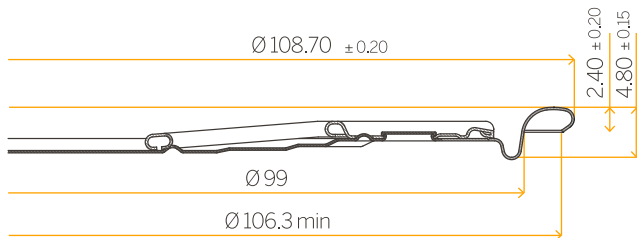
easytech closures

Easy-open ends

End Shape

soon available in
the pull it easy™ version

Size / **99 mm**
Diameter inches / **401**
Material / **Tinplate (ECCS)**
Opening / **Full opening**



Easytech Closures Solution S.p.A.

Development & manufacturing closing system

84084 Fisciano (Sa) Italy
Via Polcareccia snc
VAT nr. IT06506260725

www.easytechclosures.com