

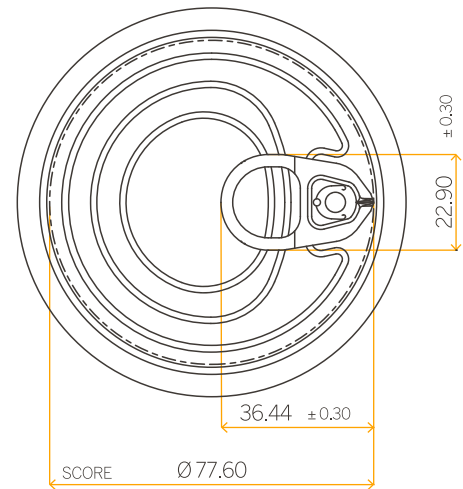
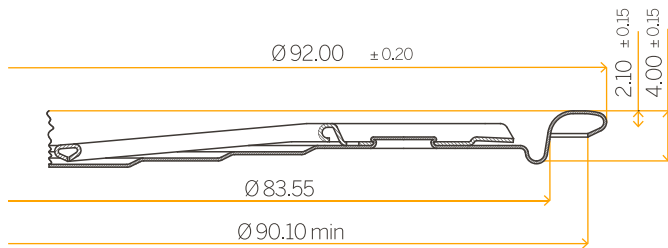


easytech closures

Easy-open ends

End Shape

Size / **84 mm**
Diameter inches / **307**
Material / **Tinplate (ECCS)**
Opening / **Full opening**



Easytech Closures Solution S.p.A.

Development & manufacturing closing system

84084 Fisciano (Sa) Italy

Via Polcareccia snc

VAT nr. IT06506260725

www.easytechclosures.com