

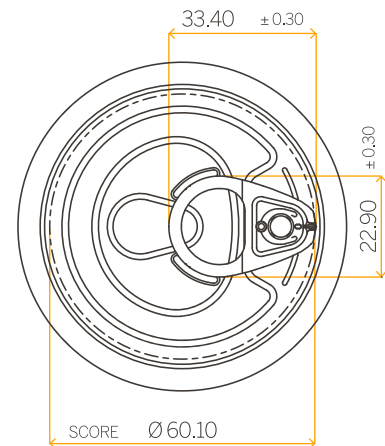
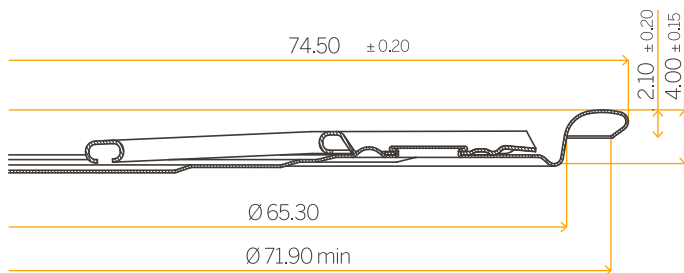


**easy**tech closures

# Pull it Easy™

## End Shape Pull it Easy™

Size / **65 mm**  
Diameter inches / **.211**  
Material / **Tinplate (ECCS)**  
Opening / **Full opening**



**Easytech Closures Solution S.p.A.**

Development & manufacturing closing system

84084 Fisciano (Sa) Italy  
Via Polcareccia snc  
VAT nr. IT06506260725

[www.easytechclosures.com](http://www.easytechclosures.com)